

# OLYMPUS®

## S ZUIKO AUTO-ZOOM 70-210mm 1:4.5-5.6

**E INSTRUCTIONS** Please read these instructions carefully before using your lens.

**F MODE D'EMPLOI** Nous vous recommandons de lire attentivement ce mode d'emploi avant d'utiliser votre objectif.

**J 使用説明書** ご使用前にこの使用説明書をお読みください。

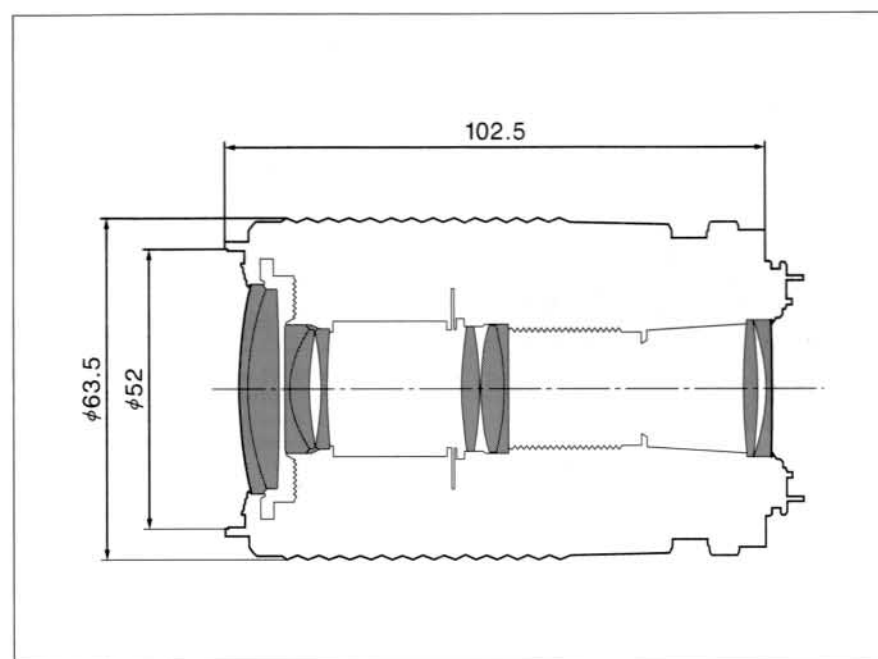
**G BEDIENUNGSANLEITUNG** Lesen Sie bitte vor Gebrauch das Objektiv diese Anleitung sorgfältig durch.

**I ISTRUZIONI** Leggere attentamente queste istruzioni prima di usare il obiettivo.

**S INSTRUCCIONES** Por favor, lea estas instrucciones detalladamente antes de usar su objetivo.

**P INSTRUÇÕES** Leia atentamente estas instruções, antes de utilizar o sua objetiva.

**C 使用説明書** 請在使用之前閱讀本使用說明書



**E**

### Notes

When the Close Focus function is used, the depth of field scale and infrared mark cannot be used.

This lens automatically changes the F stop as it zooms in and out. If manual aperture selection is required (for flash photography, for example), set the F stop at the white line when using 70 mm and at the yellow dot when using 210 mm. If the focal length is between 70 mm and 210 mm, set the F stop at the intermediate position between the white line and yellow dot.

### Care and Storage

- Do not touch the lens surface with your fingers. Clean fingerprints or dust from the lens surface with lens cleaning tissue or a soft cloth. Do not use alcohol, benzene or other organic solvents to clean the lens.
- Keep the lens in a well-ventilated place. To prevent mold from growing on the lens when the weather is humid, store it in a plastic bag with a desiccant.
- Do not expose the lens to dirt or sand. Do not subject the lens to vibrations or impact.



**Warning**

Do not look at the sun or an intense light source through the lens or the camera's viewfinder. This could cause blindness.



**Caution**

Do not leave the lens in a place exposed to direct sunlight. When storing the lens, be sure to mount the lens cap or avoid direct sunlight. Sunlight converging through the lens on a nearby flammable object may cause a fire.

### Names of Parts

- Lens release button
- Aperture ring
- Zoom/focusing ring
- Zoom scale
- Distance scale
- Depth of field scale
- Infrared mark
- Aperture indication at 70 mm
- Aperture indication at 210 mm

### Specifications

Focal length: 70 ~ 210 mm  
Maximum aperture ratio: 1: 4.5 ~ 5.6  
Angle of view: 34° ~ 11°  
Optical construction: 10 elements in 7 groups (multi-coated)  
Diaphragm operation: Automatic  
Minimum aperture: F 22(70 mm) ~ F 28(210 mm)  
Minimum shooting distance: 1.5 m/4.9 ft in Standard mode; 1.14 m/3.7 ft in Close Focus mode  
Minimum field size: 41 x 62 cm/16.1 x 24.4 in (70 mm) ~ 14 x 20 cm/5.5 x 7.9 in (210 mm) in Standard mode; 29 x 43 cm/11.4 x 16.9 in (70 mm) ~ 9.5 x 14 cm/3.7 x 5.5 in (210 mm) in Close Focus mode  
Focusing system: Rotary helicoid  
Zoom system: Linear zoom  
Weight: 355 g/12.5 oz  
Length: 102.5 mm/4.04 in  
Maximum diameter: 63.5 mm/2.50 in  
Filter: 52 mm, screw-in type

Specifications are subject to change without any notice or obligation on the part of the manufacturer.

